

Date:	Type:
Project Name:	Part Number:

## LED FLOOD LIGHT/SHOEBOX



Plug-in Dimming Sensor/Photocell



### APPLICATIONS

- Parking Area
- Street
- Walkway
- Building



Slip Fitter



Straight Arm



Trunion

### DESCRIPTION

RENO G3 FLOOD/Area Light is constructed with a durable, die-cast aluminum housing and PMMA optic lens (prevent yellowing) is the perfect lighting solution for your parking lot, street, walkway, building. Energy savings can be as much as 85% while eliminating maintenance costs in labor and lamp and ballast replacement. Designed for pole or wall-mounting with either an arm extension, slip fitter, U-bracket or trunion mount

### FEATURES

- DLC Premium
- IP65 Rated
- 2KV Surge Protection
- Plug-In Dimming sensor
- Type 3 Light Distribution
- L90-100,000 hours rated chips
- Input line voltage: 120-347V
- operating temperature -40°c~ to 50°c
- 5 Year Warranty
- Custom colours available



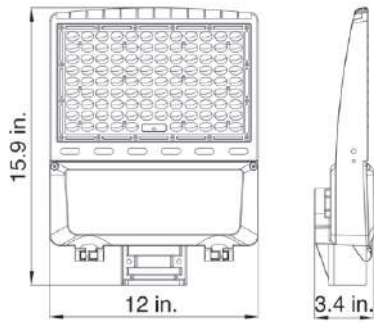
### SPECIFICATION

ORDER #	MODEL #	WATTS	VOLTAGE(V)	HOUR RATING	COLOUR FINISH	INITIAL LUMENS	CCT(K)
R53011	RENO-SB-75W-DV-4K-G3	75W	120-347V	50,000	BLACK	10875	4000K
R53013	RENO-SB-100W-DV-4K-G3	100W	120-347V	50,000	BLACK	14500	4000K
R53014	RENO-SB-100W-DV-5K-G3	100W	120-347V	50,000	BLACK	14500	5000K
R53015	RENO-SB-150W-DV-4K-G3	150W	120-347V	50,000	BLACK	21750	4000K
R53016	RENO-SB-150W-DV-5K-G3	150W	120-347V	50,000	BLACK	21750	5000K
R53017	RENO-SB-240W-DV-4K-G3	240W	120-347V	50,000	BLACK	34800	4000K
R53018	RENO-SB-240W-DV-5K-G3	240W	120-347V	50,000	BLACK	34800	5000K
R53019	RENO-SB-320W-DV-4K-G3	320W	120-347V	50,000	BLACK	46400	4000K
R53020	RENO-SB-320W-DV-5K-G3	320W	120-347V	50,000	BLACK	46400	5000K
R59004	RENO-TRUNNION-G3	U BRACKET FOR SHOE BOX G3					
R59005	RENO-SLIP FITTER-G3	SLIP FITTER FOR SHOEBOX G3					
R59006	RENO-STRAIGHT ARM-G3	Straight Arm mount for Shoebox G3					
R72001	RENO-SB-PHOTOCELL	Photo Cell for Shoebox					
R71001	RENO-SB-SENSOR	Bi-level Dimming Sensor for Shoebox					
R73001	RENO-SB-CONTROLLER	Controller for Bi-Level Sensor					
R59010	RENO-SB-SHIELD-R1	Shoebox Shield for 75W/100W/150W					
R59011	RENO-SB-SHIELD-R2	Shoebox Shield for 240W-320W					

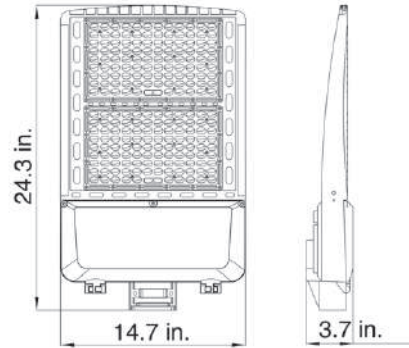
Date:	Type:
Project Name:	Part Number:

**DIMENSION**

• 75W/100W/150W



• 240W/320W



**MOUNTING OPTIONS**



► Trunnion Mount

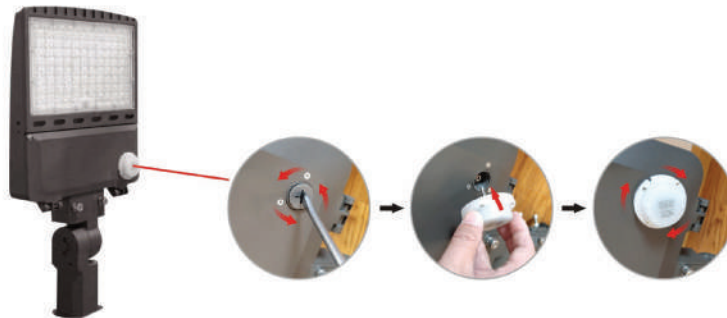


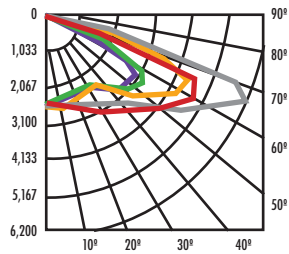
► Pole Mount



► Slip fitter Mount

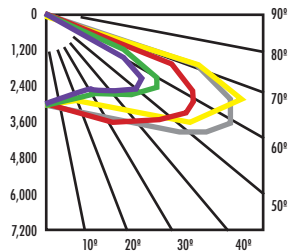
**Sensor Installation**



**LUMINOUS EMITTANCE**
**75W**

**FLOOD SUMMARY**

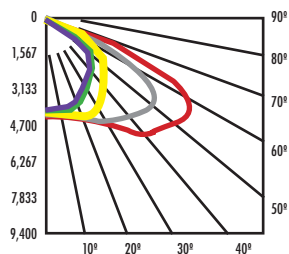
	Efficiency %	Lumens	Horiz. Spread	Vert. Spread
Field (10%)	97.4	11,798.6	149.8	127.3
Beam (50%)	46.1	5,583.0	44.2	86.0
Total	100	12,118.9		

■ 0°H   
 ■ 22.5°H   
 ■ 45°H   
 ■ 67.5°H   
 ■ 90°H

**100W**

**FLOOD SUMMARY**

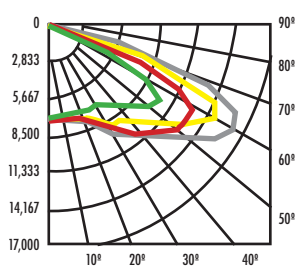
	Efficiency %	Lumens	Horiz. Spread	Vert. Spread
Field (10%)	97.4	14,737.4	139.5	136.2
Beam (50%)	55.0	8,316.6	121.9	94
Total	100	15,133.5		

■ 0°H   
 ■ 22.5°H   
 ■ 45°H   
 ■ 67.5°H   
 ■ 90°H

**150W**

**FLOOD SUMMARY**

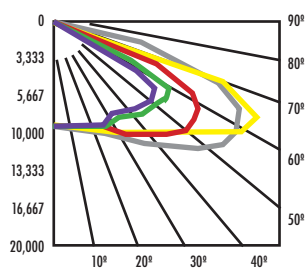
	Efficiency %	Lumens	Horiz. Spread	Vert. Spread
Field (10%)	97.8	21,891.6	151.9	141.9
Beam (50%)	71.6	16,015.5	137.2	104.2
Total	99.9	22,368.0		

■ 0°H   
 ■ 22.5°H   
 ■ 45°H   
 ■ 67.5°H   
 ■ 90°H

**240W**

**FLOOD SUMMARY**

	Efficiency %	Lumens	Horiz. Spread	Vert. Spread
Field (10%)	97.1	35,275.8	150.4	131.1
Beam (50%)	63.4	23,041.7	135.1	91.2
Total	99.9	36,313.2		

■ 0°H   
 ■ 22.5°H   
 ■ 45°H   
 ■ 67.5°H   
 ■ 90°H

**320W**

**FLOOD SUMMARY**

	Efficiency %	Lumens	Horiz. Spread	Vert. Spread
Field (10%)	97.2	44,589.9	142.5	138
Beam (50%)	68.2	31,293.2	137.7	97
Total	99.9	45,807.8		

■ 0°H   
 ■ 22.5°H   
 ■ 45°H   
 ■ 67.5°H   
 ■ 90°H